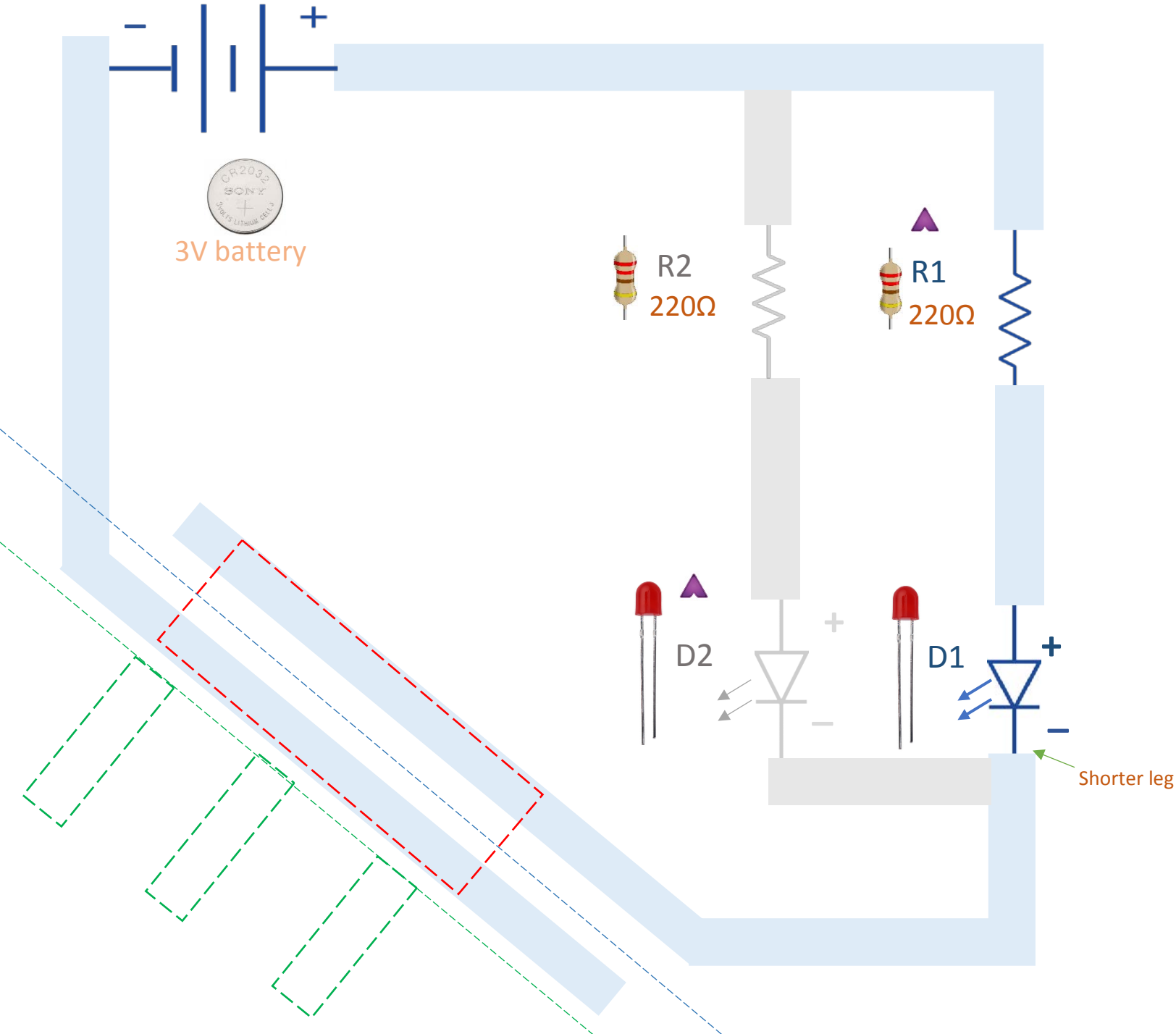




4-in-1 Electronic Paper Circuit



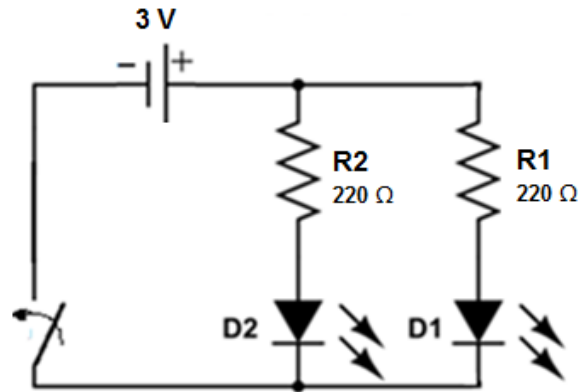
1. **Simple series circuit** – build the basic circuit (blue). Fold along the blue dotted line (use ruler for support). Press on the fold.

2. **Parallel circuit** – Add the circuit branch shown in grey (second LED). Fold along the blue dotted line. Press on the fold.

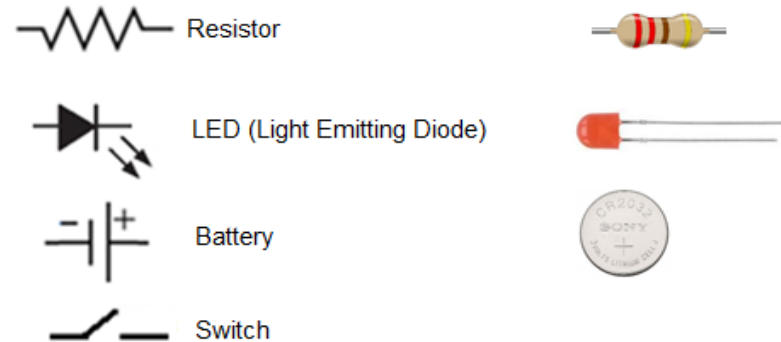
3. **LED blinking** – Slide switch
Make the switch connectors with copper tape (green boxes). Fold on the green dotted line. Press on the fold while sliding the finger across the fold from one end to other.

4. **LED fading** – Pressure sensor
Place pressure sensitive paper in red dotted rectangle, and fold along the blue dotted line. Press gently over the fold, and then increase the pressure gradually.

Circuit Schematic



Symbols





Battery care: When not operating your circuit, remove the battery and store safely.

Store battery by itself in a bag. Avoid contact with metal objects, such as coins, keys or jewelry, which might short-circuit it, overheat or cause injury. Do not short battery terminals! Keep batteries, especially small and coin lithium batteries and the devices using them, **OUT OF REACH** of young children

<http://www.energizer.ca/about-batteries/battery-care>



Interact with the content on this handout through *Augmented Reality (AR)*

- Download the free **HP Reveal** App on your smartphone. Creating account is optional
- Click on the menu  and search for the channel named 'rajisub1' >> Follow
- Scan on the images/areas of the handout (indicated by ) to see a description. (wait for few seconds)
- Tap on the description to visit a related webpage/play video